

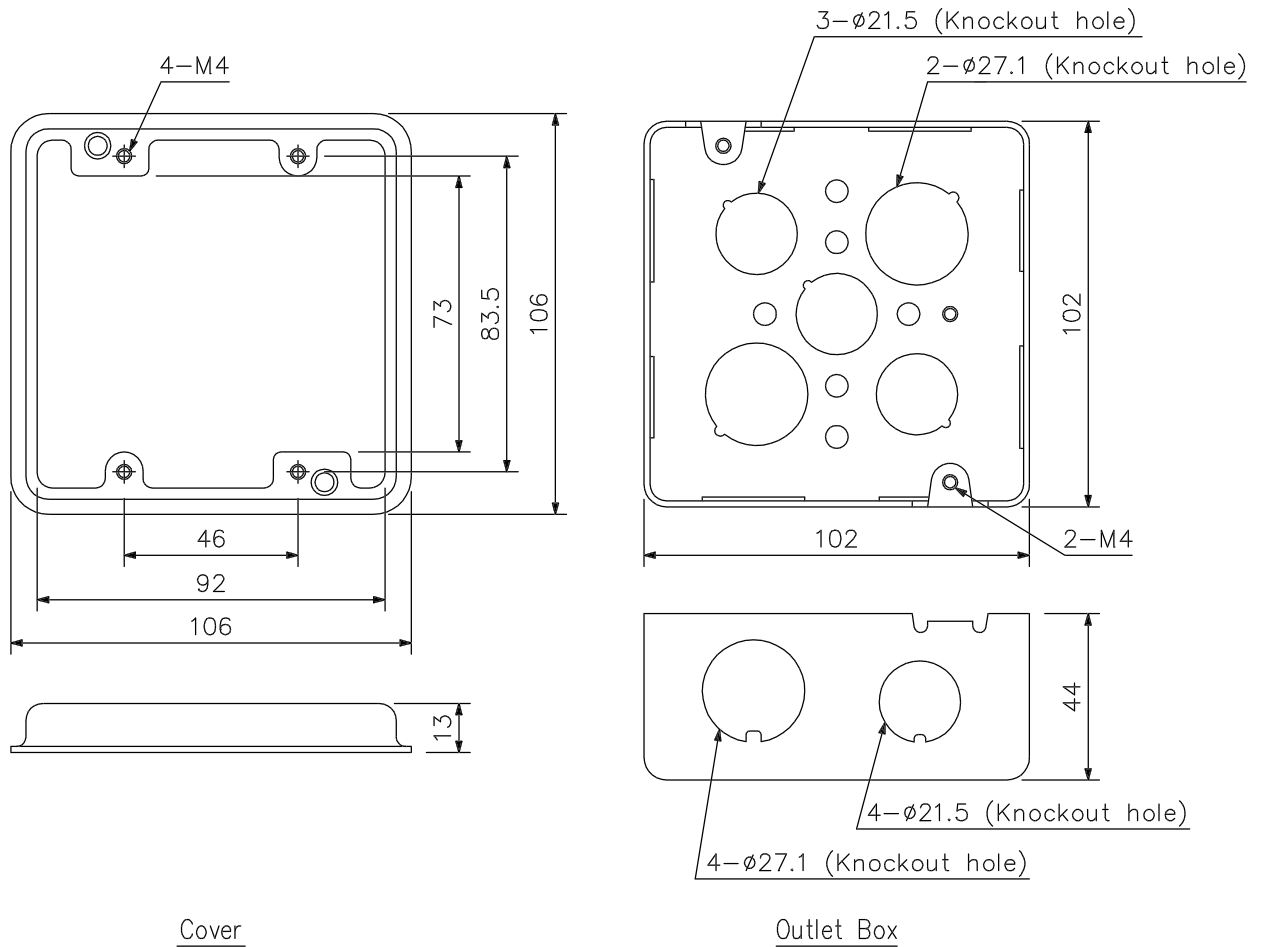
■DESCRIPTION

The YC-302 is a 2-gang electrical box (with cover) of wall flush mount type.

■SPECIFICATIONS

Quantity Packed per Display Carton	10 pieces
Finish	SPHT, MFZn4 (glazed chromate)
Dimensions	Outlet box: 102 (W) × 102 (H) × 44 (D) mm Cover: 106 (W) × 106 (H) × 13 (D) mm
Weight	370 g

■APPEARANCE



UNIT:mm SCALE:1/2